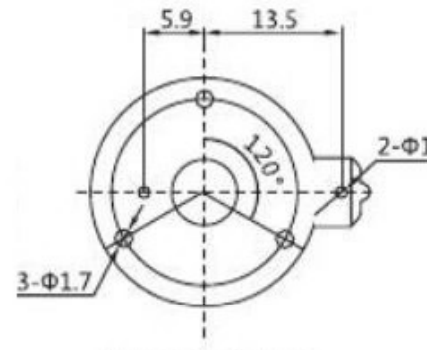
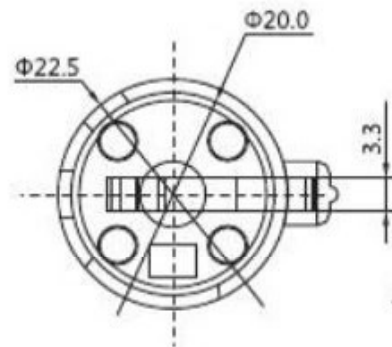
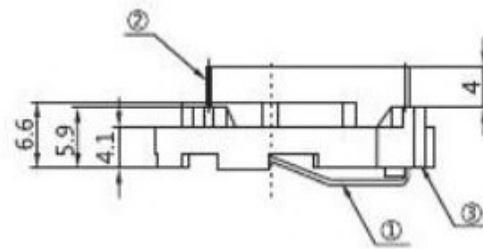
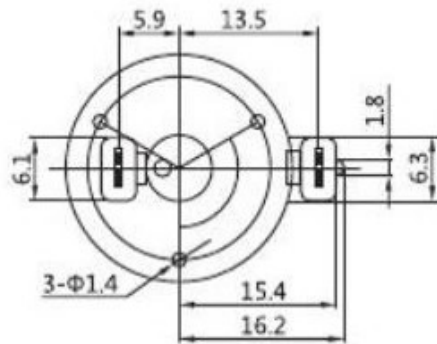


所有物质均符合环保要求



PLB notes diagram  
TOP view

NOTE:

1. MATERIAL:  
 a. HOUSING: THERMOPLASTIC GLASS FIBRE UL94V-0 **【塑胶材质】 PPA料 (耐温240°-260°)**  
 b. CONTACT: BRASS **【五金材质】 锰钢**
2. ELECTRIC:  
 a. CONTACT RESISTANCE: 30 MILLIOHMS MAX **【电镀处理方式】 Au1 μ''**  
 b. INSULATION RESISTANCE: 1000 MEGA OHMS MIN **【适用范围】 医疗设备、数码玩具、工控主板、消防等**  
 c. DIELECTRIC VOLTAGE: 750V AC ONE SEC LEVEL **【装箱规格】 100只x25层=2500只 (吸塑包装)**  
 d. OPERATING TEMPERATURE: -55 ~C ~ +85 ~C **2500只x2捆=5000只每箱**

NO.	PART NAME	QTY	MATERIAL	DESCRIPTION	REMARK
③	SPRING	1	STAINLESS STEEL	Ni PLATED	
②	TERMINAL	1	COPPER ALLOY	Au PLATED	
①	Housing	1	HIGH TEMP	Black	

UNLESS OTHERWISE,  
GENERAL TOLERANCE:  
 X.xxx ±0.10  
 X.xx ±0.20  
 X.x ±0.30  
 X. ±0.38  
 ANGULAR:  
 X.xx ±1°  
 X.x ±3°  
 X. ±5°

**东莞市高迪电子有限公司**

TITLE: 电池座卧式		P/N:	
客户图		MODEL:	
THIRD ANGLE PROJECTION		UNIT: mm	SCALE: 1:1
		SIZE: A4	SHEET: 1/1

ECN NO.	REV.	DESCRIPTION	DATE	CHANGE	APPROVAL	DATE
JH2016-061	E	修改图面与实物相符	2016.05.31	Bin	DESIGN 陈少兵	2016.05.31
	D	更新图面	2015.09.23	陈少兵	CHECK 郑小伟	2016.05.31
	C	调整尺寸公差	2013.07.04	陈少兵	APPROVAL 吕海涛	2016.05.31